



# BERITECH

Solutions Driven by People.



## BE-1116 | Flow Cooker Single

- High capacity.
- Easily integrated into existing production lines.
- Includes an intelligent control system.
- Easy to clean, nothing to dismount before cleaning.
- Made of acid resistant steel.
- Few moving parts – low maintenance cost.

BE-1116

### Flow Cooker Single

The Beritech BE-1116 utilizes a stainless steel belt, electrically driven through the cooking bin, to guarantee even cooking across all seafood products. A central guide divides the conveyor, ensuring the seafood is or-

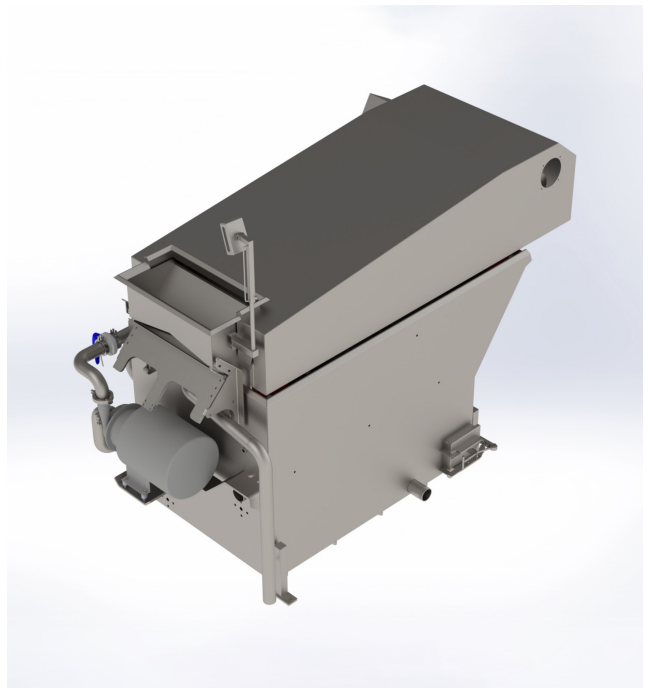
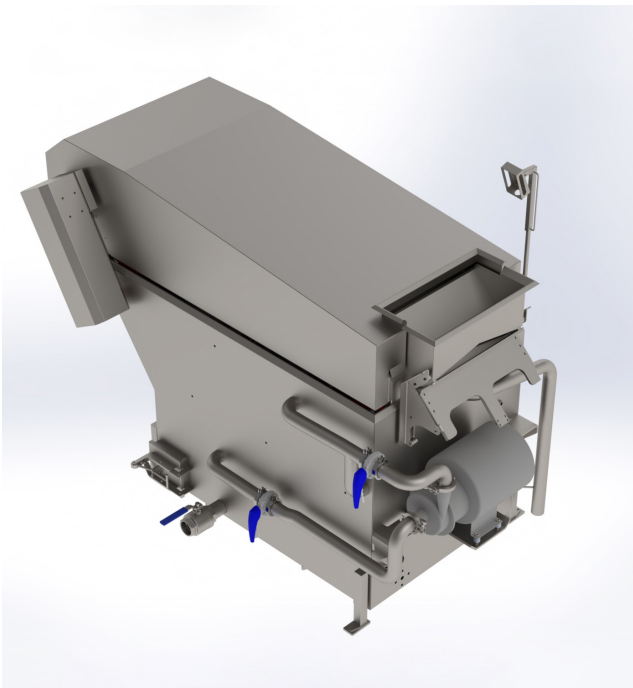
ganized and separated effectively for optimal processing efficiency. Designed with maintenance simplicity and cleaning efficiency in mind, the cooker features a design where the conveyor and hood are easily rota-

ted away from the water using a single electric cylinder. This design grants full access to the cooker for comprehensive cleaning without hassle.

The inclusion of a PID regulator allows for the customization of cooking times and temperatures, maintaining consistent heat with minimal variance.

Finally, the the BE-1116 is constructed from polished, acid-resistant steel and boasts an open design, which not only simplifies the cleaning process but also reduces the need for frequent maintenance.

**Machine**



Model	BE-1116.00	BE-1116.03	BE-1116.10	BE-1116.13	BE-1116.20	BE-1116.23
<b>Dimensions (mm)</b> LxWxH	2550 x 1200 x 1720 mm	2550 x 1200 x 1720 mm	2550 x 1500 x 1720 mm	2550 x 1500 x 1720 mm	2550 x 1900 x 1720 mm	2550 x 1900 x 1720 mm
<b>Capacities</b> Capacity stated is for Pandalus shell-on. Cooking time at 3.5 min. Please contact Beritech concerning other species.	750 kg/h	750 kg/h	1200 kg/h	1200 kg/h	1800 kg/h	1800 kg/h
<b>Heating</b>	Gas Oil	Steam	Gas Oil	Steam	Gas Oil	Steam
<b>Consumption</b>	14 kg/h	200 kg/h	20 kg/h	300 kg/h	30 kg/h	450 kg/h
<b>Power</b> 3x440V, 60 c/s	2.2 kW/13A	2.2 kW/13A	2.2 kW/13A	2.2 kW/13A	2.2 kW/13A	2.2 kW/13A
<b>Water Consumption</b> (depends on products)	0.75 m <sup>3</sup> /h	0.75 m <sup>3</sup> /h	1.5 m <sup>3</sup> /h	1.5 m <sup>3</sup> /h	2.0 m <sup>3</sup> /h	2.0 m <sup>3</sup> /h
<b>Weight Approx.</b>	500 kg	500 kg	1000 kg	1000 kg	1200 kg	1200 kg